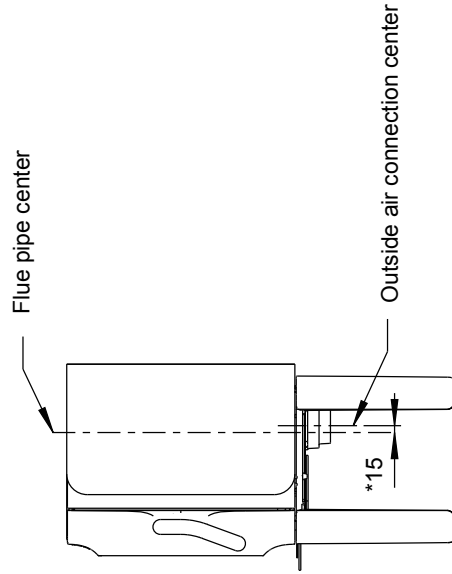
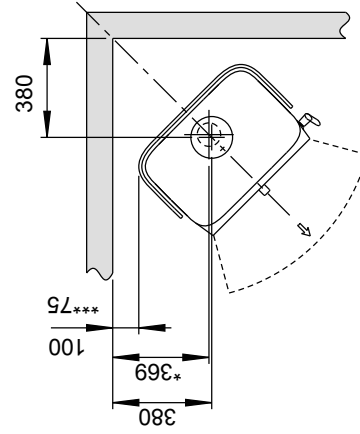
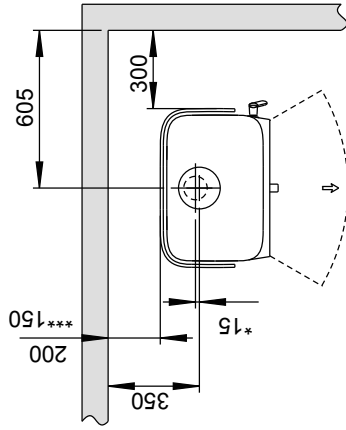


Jøtul F 305 C

Fig. 1c C

Min. distance to combustible wall



\* Outside air connection

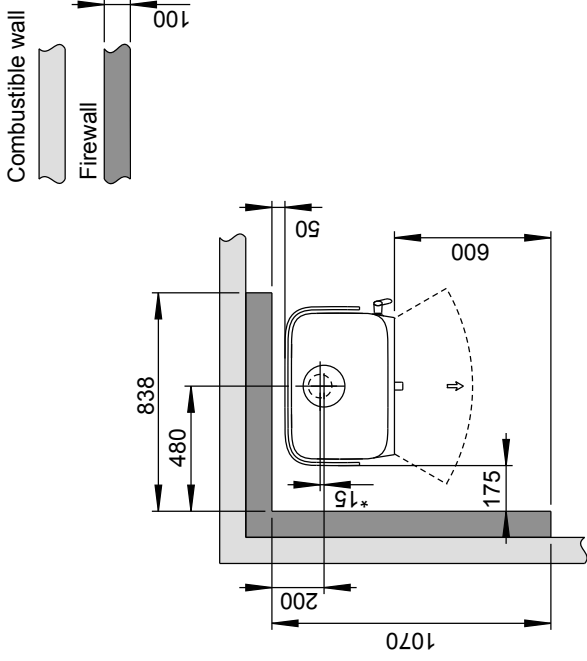
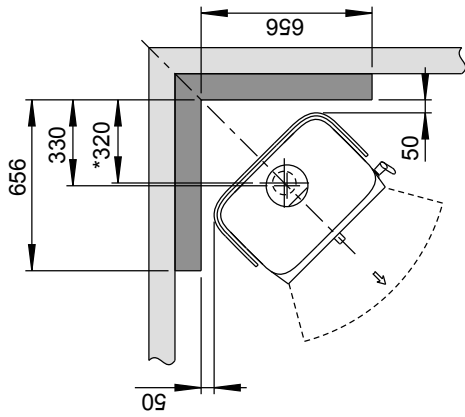
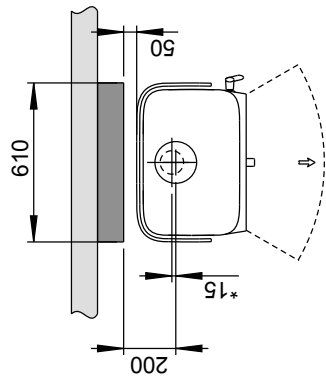
\*\*\* Distance to combustible wall with semi-insulated / shielded flue pipe.

Fig. 1d C

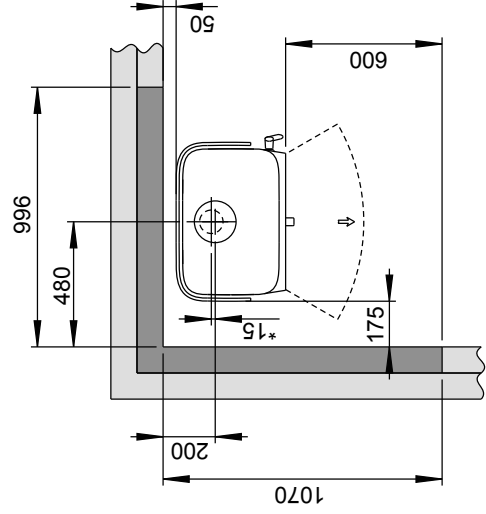
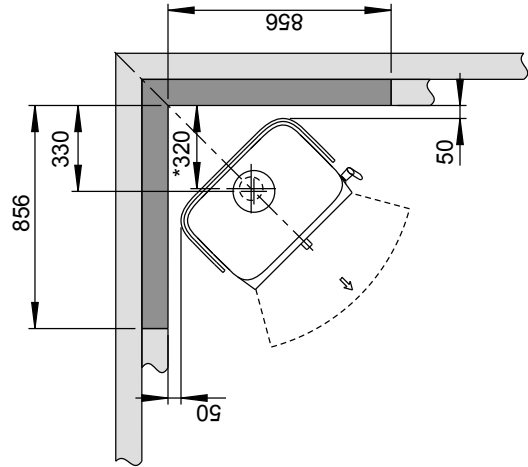
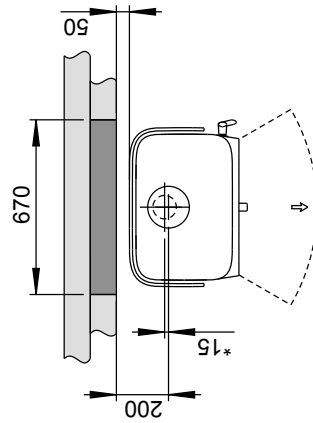
Jøtul F 305 C

Min. distance to combustible wall protected by firewall

External



Integrated



\*Outside air connection

900195-P00